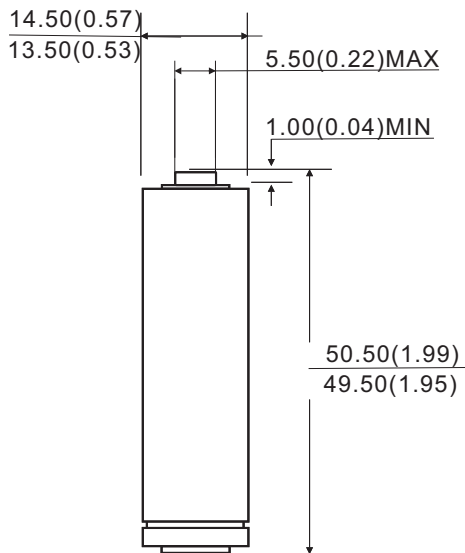


LR6-Plus

Plus Alkaline Battery



Dimensions



Unit:mm(inch)

Specifications

Chemical System:	Alkaline (Zn/MnO ₂) Zinc-Manganese Dioxide
IEC Name:	LR6
ANSI/NEDA:	15A(AA)
Camelion Model:	LR6-Plus
Average Weight:	22.6g
Dimension(∅ x H):	14.0 ^{±0.5} x 50.0 ^{±0.5} mm 0.56 ^{±0.02} x 1.97 ^{±0.02} inch
Terminals:	Flat
Nominal Voltage:	1.5Volts
Capacity:	2700mAh (Rated at 25mA to 0.8V)
Operating Temperature:	-18°C-55°C
Storage Temperature:	15°C-25°C
Relative Humidity:	60±15%
Jacket :	Aluminum Foil Label
Available period:	3 year(Temperature: 20±2°C, Relative Humidity: 60%±15%)

Usage Guide



Radio



Toy



Digital Still Camera

Cautions

Storage

Store the battery in a cool, dry and well-ventilated area.

Handling

- (1) Never charge the battery. Do not heat or disposed in fire or water. Do not modify or disassemble the battery. Do not short-circuit positive (+) and negative (-) terminals. Keep away from metal or other conductive materials.
- (2) Keep away from infants. If infant happens to swallow the battery, consult a doctor immediately.
- (3) Do not mix use old batteries with new ones, or mix use batteries of different types or brands
- (4) In case the battery electrolyte happen to come into mouth, gargle well enough and consult a doctor immediately.

Notice:

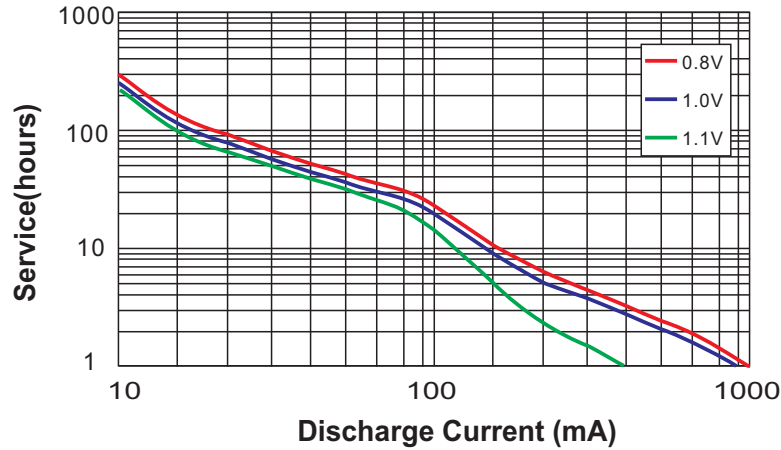
Environmental elements comply with 2006/66/EC requirements. This information is subject to change without prior notice and for reference only. It should not be used as a basis for a product guarantee or warranty. For additional information, please consult your nearest Camelion Sales Office or Distributor or visit our website at: www.camelionbattery.com.

LR6-Plus

Plus Alkaline Battery

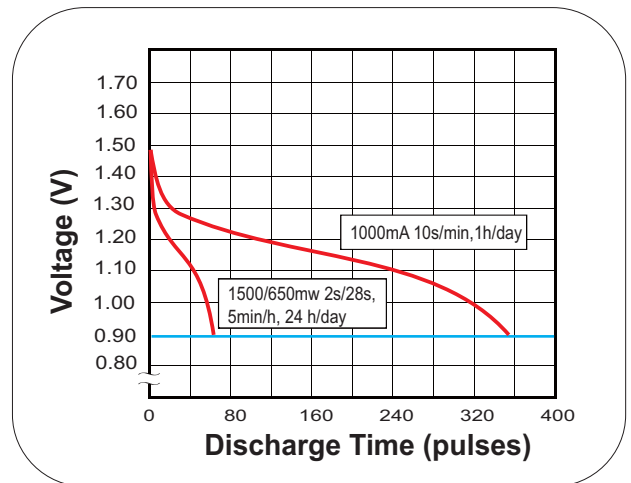
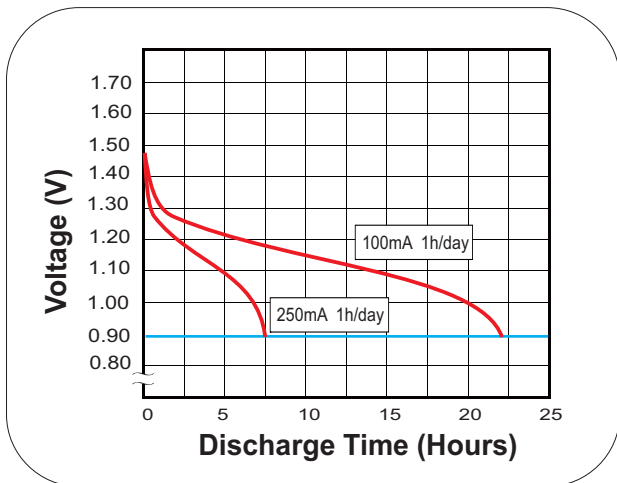
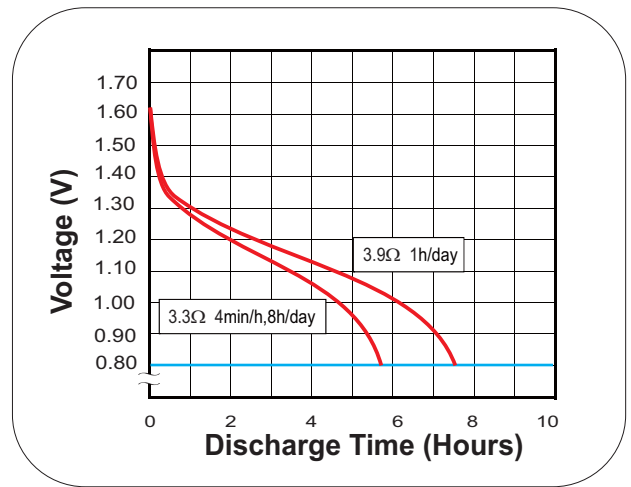
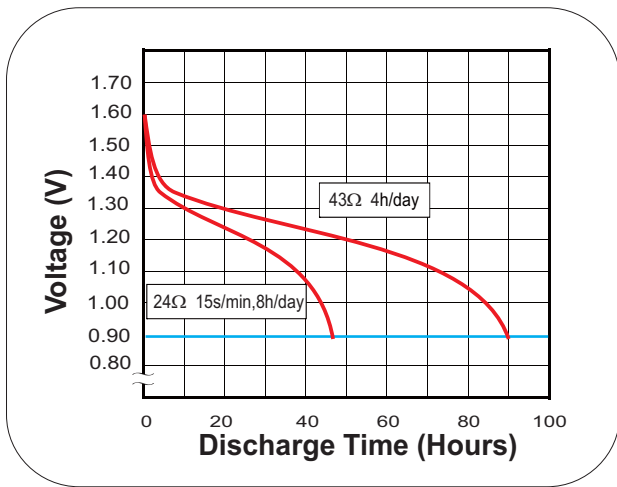
Constant Current Discharge

Typical Characteristics at 21°C



IEC Standard Testing

Typical Characteristics 21°C



Notice:

Environmental elements comply with 2006/66/EC requirements. This information is subject to change without prior notice and for reference only. It should not be used as a basis for a product guarantee or warranty. For additional information, please consult your nearest Camelion Sales Office or Distributor or visit our website at: www.camelionbattery.com.