

Instruction manual

**Rolf
KERN!**[®]**Straßenleuchte ROLF KERN, 10W, 1500lm, 3000K**

Dear customer

congratulations on the purchase
your Rolf Kern office lamp .

With this choice you have chosen a
product, which combines appealing design and
design and technical features.

Please read the following connection and
and operating instructions carefully and follow them
and follow them, in order to get the longest and safest
from your product for as long as possible.
Please read the operating instructions carefully before
carefully before using the device.

We wish you much pleasure with your
new product!

Technical details:

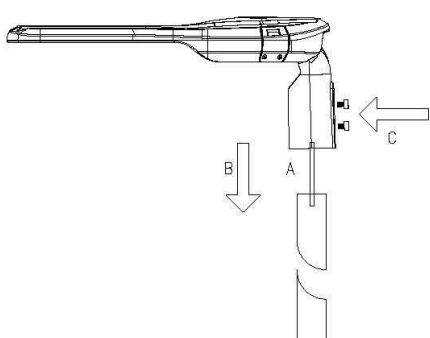
- Luminous flux: 1500 lumen
- Rated useful luminous flux: 1400 lumen
- Colour temperature: 3129K
- Beam angle: 154°
- Power consumption: 10w
- Rated peak luminous intensity: 503cd
- Voltage: 220-240V
- Colour rendering index: Ra>70
- Dimmable: Yes
- Dimensions: 595x385x225mm

Safety instructions

- Keep the operating instructions for the unit
- Check the unit regularly for damage
- Do not modify the product or accessories
- Do not short-circuit the connections and circuits. short
- Do not use the product unless it is in perfect condition. in perfect condition.
- Do not operate a defective
- Do not operate a defective unit!
- Check the unit for damage before putting it into operation. If this is the case, do not operate the unit!
please do not put the unit into operation!
- In case of questions, defects, mechanical damage, and other problems, please contact the dealer or
manufacturer.
- Repair and maintenance work on the unit must only be carried out by trained and qualified personnel!
- The product is not a toy and does not belong in children's hands!
- Do not leave the packaging material lying around carelessly, plastic foils / bags, polystyrene parts, etc.,
could become a dangerous toy for children.
- Installation by trained personnel only
- Please disconnect the power circuit before use.

Assembly

Step 1


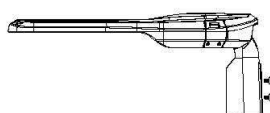


A. The electric supply line passes through the luminaire and pass through the PG connector extends to the inside lamp body.

B. put luminaire on the pole.

C. Tighten screws of the luminaire .

Luminaire with two installation ways , horizontally and vertically , open the package and tighten the luminaire as shown in required way .

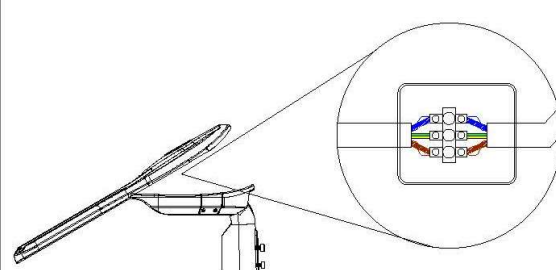



Horizontally

Vertically

Step 2

Wiring , connect the electric supply line with power input cable.



Note:

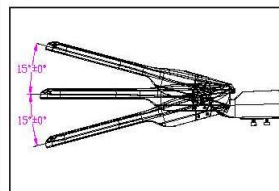
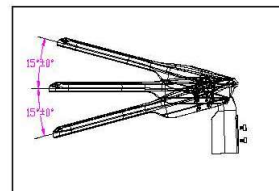
①	AC 100-277V Cable	L	Brown	
		N	Blue	
		⊕	Green / Yellow	


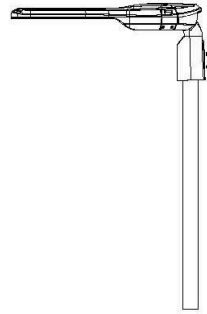
Warning

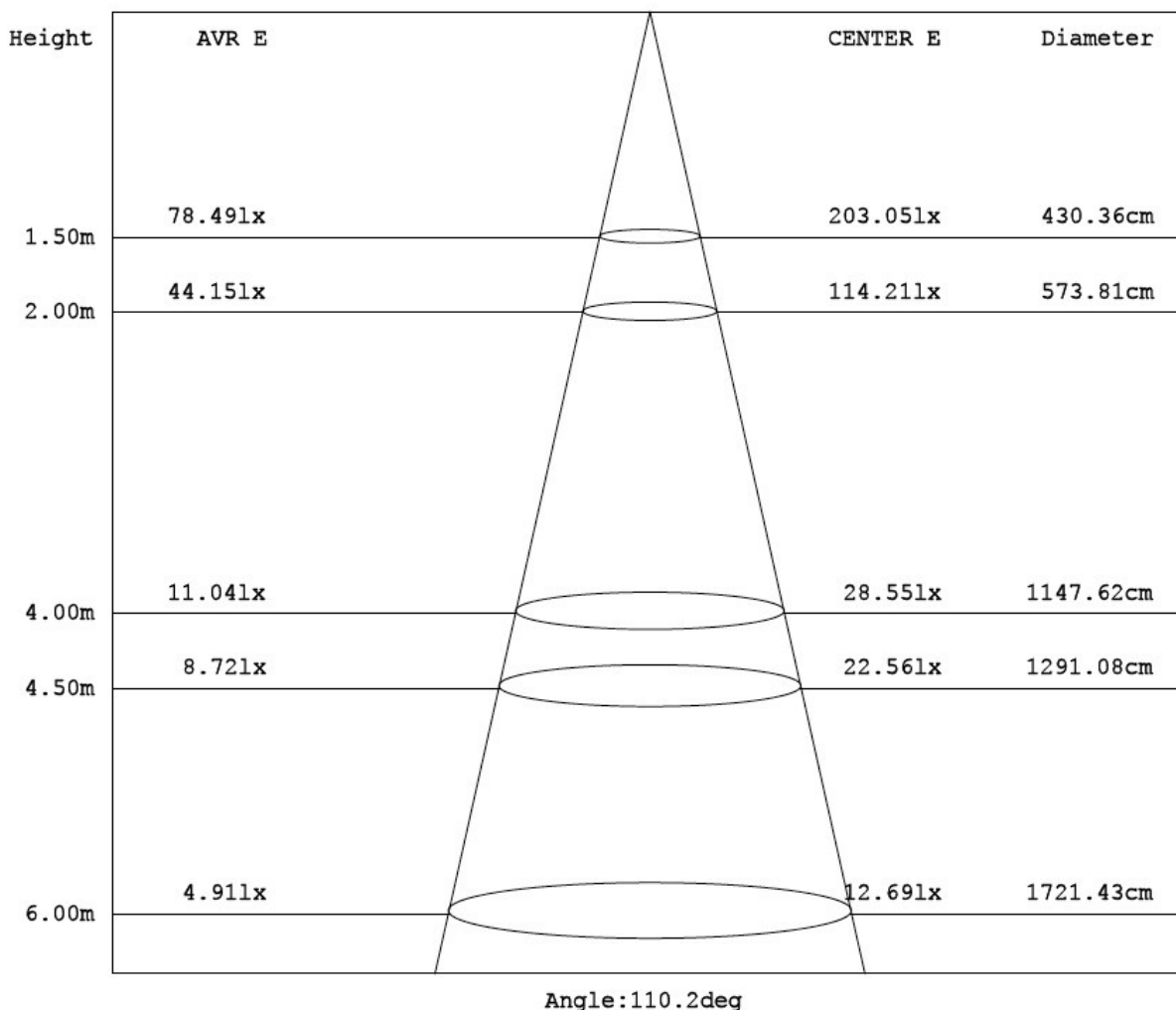
- Please make sure the power off before operation

Step 3

Close the lamp body , installation completed , lamp body can rotate up and down 15 degree.



Disposal instructions

According to the European WEEE Directive, electrical and electronic devices must not be disposed of with household waste. Their components must be recycled or disposed of separately, because toxic and hazardous components can cause lasting damage to health and the environment if disposed of improperly. As a consumer, you are obliged under the Electrical and Electronic Equipment Act (ElektroG) to return electrical and electronic equipment free of charge at the end of its service life to the manufacturer, the point of sale or to public collection points set up for this purpose. Details are regulated by the respective state law. The symbol on the product, the operating instructions and/or the packaging indicates these regulations. By separating, recycling and disposing of old equipment in this way, you are making an important contribution to protecting our environment. Packaging can be disposed of free of charge at the appropriate collection points - paper in the paper garbage can, plastics in the yellow bag and glass in the used glass container.